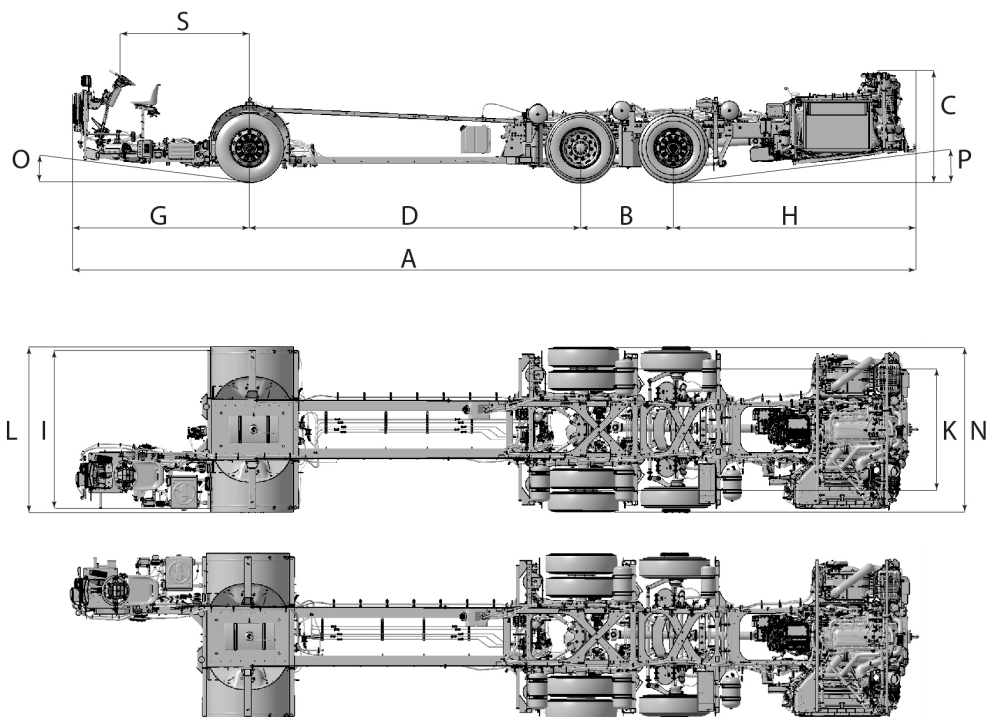




Volvo Buses. Driving quality of life

VOLVO B8R LOW ENTRY 6X2

Euro 6



Model		B8RLE, 6 x 2	
Overall dimensions			
A	Overall chassis length	SWP1920 (mm)	12388-14788
		SWP2020 (mm)	12488-14888
B	Bogie (mm)		1400
C	Frame height at rear structure (mm)*		1618
D	Transport wheelbase (mm)		5000
	Approved wheelbase (mm)		5000-7400
G	Front overhang (mm)	SWP1920 (mm)	2498
		SWP2020 (mm)	2598
H	Rear overhang (mm)		3490
	Optional rear overhang (mm)		3190
S	Steering wheel position (mm)	SWP1920 (mm)	1920
		SWP2020 (mm)	2020
I	Track, front (mm)*		2068
K	Track, rear (mm)*		1836
L	Overall width front wheels or housing*		2500
N	Overall width rear wheels (mm)*		2500
O	Approach angle (°) (SWP2020)		7.2
P	Departure angle (°)		4.7
	Departure angle for optional rear overhang (°)		n/a
*) Track width, overall width and frame height are measured with tyres: and steel rims			295/80R22.5" 8.25"x22.5"

VOLVO B8R LOW ENTRY 6X2

Euro 6

Model	B8RLE, 6 x 2
--------------	---------------------

Weights	
Permitted front axle load (kg)	7500
Permitted drive axle load (kg)	11500
Bogie axle load (kg)	17250
Permitted tag axle load (kg)	5750
Permitted GVW (kg)	24750

Engine	D8K
Emission standard	Euro 6
Engine system	EGR, Common rail
Displacement (dm ³)	7.7
Cylinders/arrangement	6/in-line
Engine rating	D8K280
Output (hp) (±0-4%)	280
Output ISO 1585 (kW) (±0-4%)	210
Torque ISO 1585 (Nm); at engine speed 950-1700 rpm	1071
Engine rating	D8K320
Output (hp) (±0-4%)	320
Output ISO 1585 (kW) (±0-4%)	240
Torque ISO 1585 (Nm); at engine speed 1050-1600 rpm	1224
Engine rating	D8K350
Output (hp) (±0-4%)	350
Output ISO 1585 (kW) (±0-4%)	263
Torque ISO 1585 (Nm); at engine speed 1200-1600 rpm	1428

Fuel tanks	
Diesel (L)	220, 300, 310, 360, 410
Transport (l)	50
AdBlue (L)	30, 48

Transmission and axles	
Gearboxes	Volvo I-Shift AT2412F ZF 6AP1200C (280 hp) ZF 6AP1400C (320 & 350 hp) Voith D864.6 (320 hp)
Front axle	Volvo RFS-L
Rear axle	Volvo RS1228C
Tag axle	Hydraulic steered
Differential lock	Optional

Suspension and steering	
Air bellows, front	2
Air bellows, drive	4
Air bellows, tag	2
Kneeling	Optional
Max wheel angle	53° with 275/70R22.5 tyres
Power steering	Electric driven - hydraulic steering
Steering wheel position	LHD/RHD

VOLVO B8R LOW ENTRY 6X2

Euro 6

Important information

For variants concerning wheelbase, steering wheel diameter and permitted front axle load, see Type approval according to ECE R79 and ECE R13.

Exhaust system

- One box muffler design
- Diesel Oxidation Catalyst (DOC)
- Diesel Particulate Filter (DPF)
- Selective Catalytic Reduction (SCR)
- Ammonia Slip Catalyst (ASC)
- Automatic regeneration of DPF without driver involvement under normal conditions
- On Board Diagnostic (OBD) for emissions, according to step C of emission regulations
- Engine certified hydrotreated vegetable oil (HVO, standard EN 15940)
- Biodiesel available for D8K320

Cooling system

- Pivotal radiator to ease access for maintenance
- No coolant filter
- Coolant level warning in instrument cluster
- Higher allowed coolant temperature for better cooling performance and lower fuel consumption

Tyres and rims

Steel or aluminium (only 8.25" x 22.5") rims available.

Rims	Tyres
7.50" x 22.5"	275/70 R22.5"
8.25" x 22.5"	295/80 R22.5"
Spare wheel	Optional

Air and brake system

- Volvo disc brakes
- Electronic Stability Control (ESC)
- Electronic Braking System (EBS 5)
- Anti-lock Braking System (ABS)
- Acceleration Slip Regulation (ASR)
- Brake Blending
- Dual retarder control
- Drag torque control
- Hill Start Aid
- Brake Temperature Warning
- Poor brake performance warning
- Door Brake
- Brake Assistant
- Lining wear sensing and analysis
- Automatic calibration after brake pad change
- Compressed Air System, can easily be filled from external circuit

Cut-in pressure	9.5 bar
Cut-out pressure	10.8 bar

Driver's station

Cluster and controls transit mounted. Also available with Volvo dashboard:

- Dashboard moves with the steering column in height and tilt
- Available in EBSF and VDV version with multistalk for wiper and direction indicator on left side of the steering wheel
- Instrument cluster:
 - speedometer
 - rev counter
 - 6.5" display
 - fuel gauge
 - coolant temperature
 - brakes
 - turbo and oil pressure
 - indicators
 - warning lamps
- Tachograph
- Data logging
- Volvo Alcolock
- External temperature meter
- Fuel economy meter
- Radio/phone switches in steering wheel
- Engine controls in engine compartment to enable engine operation from the rear of vehicle
- Volvo Dynamic Steering (VDS)
- Adaptive Cruise Control

VOLVO

Volvo Bus Corporation
volvobuses.com

VOLVO B8R LOW ENTRY 6X2

Euro 6

Electrical system

- Volvo I-Start system
 - dual battery system that separates batteries into two circuits
 - optimised start batteries to increase engine start capability
 - optimised consumer batteries for longer lifetime
- Automatic shut off of main switch at low voltage level
- Load balanced alternators
- Regenerative charge control to increase fuel efficiency

Number of batteries

Start batteries	2 x 12 V
Consumer batteries	2 x 12 V

Battery capacity

Consumer batteries	105 Ah
--------------------	--------

VOLVO

Volvo Bus Corporation
volvobuses.com