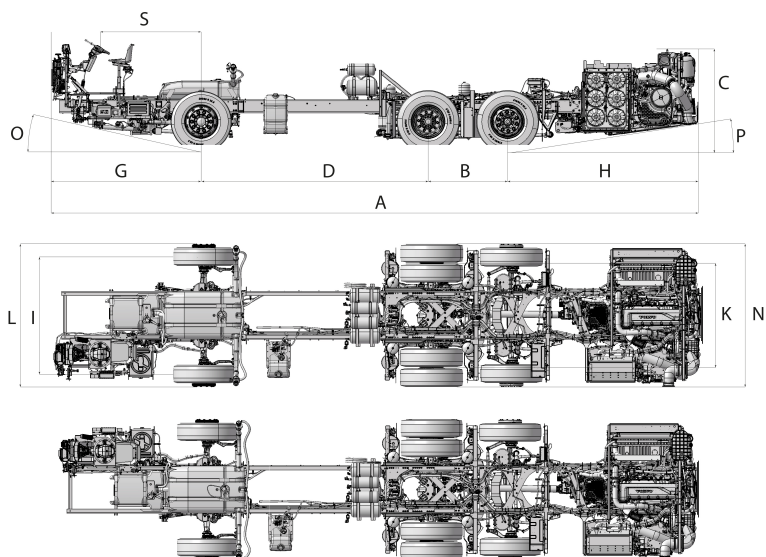


VOLVO B13R 6X2

Euro 6



Model		B13R, 6 x 2, RFS	B13R, 6 x 2, IFS
Overall dimensions			
A	Overall chassis length (mm)	SWP1470 (mm)	10490-13190
		SWP1820 (mm)	10840-13540
		SWP2050 (mm)	11070-13770
B	Bogie (mm)	1400	1400
C	Frame height at rear structure (mm)*	1618	1816
D	Transport wheelbase (mm)	4000	4000
		Approved wheelbase (mm)	5000-7400
G	Front overhang (mm)	SWP1470 (mm)	2150
		SWP1820 (mm)	2500
		SWP2050 (mm)	2730
H	Rear overhang (mm)	2670, 2760, 3340, 3490	2670, 2760, 3340, 3490
		Optional rear overhang (mm)	n/a
S	Steering wheel position (mm)	SWP1470 (mm)	1470
		SWP1820 (mm)	1820
		SWP2050 (mm)	2050
I	Track, front (mm)	2040	2064
K	Track, rear (mm)*	1836	1836
L	Overall width front wheels*	2358	2382
N	Overall width rear wheels (mm)*	2439	2464
O	Approach angle (°)	13.3	13.3

VOLVO B13R 6X2

Euro 6

Model		B13R, 6 x 2, RFS	B13R, 6 x 2, IFS
P	Departure angle (°)	7.6	7.6
	Departure angle for optional rear overhang (°)	n/a	n/a
*) Track width, overall width and frame height are measured with tyres: and steel rims		315/80R22.5" 9.00"x22.5"	315/80R22.5" 9.00"x22.5"

Weights		
Permitted front axle load (kg)	7500	7500
Permitted drive axle load (kg)	11500	11500
Bogie axle load (kg)	17250/19000	17250/19000
Permitted tag axle load (kg)	5750/7500	5750/7500
Permitted GVW (kg)	24750/26500	24750/26500

Engine	D13K	D13K
Emission standard	Euro 6	Euro 6
Engine system	SCR, Common rail	SCR, Common rail
Displacement (dm ³)	13	13
Cylinders/arrangement	6/in-line	6/in-line
Engine rating	D13K380	D13K380
Output (hp)	380	380
Output ISO 1585 (kW); at engine speed 1700-1800 r/m	280	280
Torque ISO 1585 (Nm); at engine speed 830-1400 r/m	1800	1800
Engine rating	D13K420	D13K420
Output (hp)	420	420
Output ISO 1585 (kW); at engine speed 1400-1700 r/m	310	310
Torque ISO 1585 (Nm); at engine speed 900-1400 r/m	2100	2100
Engine rating	D13K460	D13K460
Output (hp)	460	460
Output ISO 1585 (kW); at engine speed 1400-1700 r/m	340	340
Torque ISO 1585 (Nm); at engine speed 950-1400 r/m	2300	2300
Engine rating	D13K500	D13K500
Output (hp)	500	500
Output ISO 1585 (kW); at engine speed 1400-1700 r/m	370	370
Torque ISO 1585 (Nm); at engine speed 1000-1400 r/m	2500	2500

Fuel tanks		
Diesel (L)	3x150, 480, 600, 720	3x150, 480, 600, 720
Transport (L)	50	50
AdBlue (L)	64 or 90	64 or 90

Transmission and axles		
Gearboxes	Volvo I-Shift AT2612G ZF 6AP2020B (only 380 hp)	Volvo I-Shift AT2612G ZF 6AP2020B (only 380 hp)
Front axle	Volvo RFS	Volvo IFS
Rear axle	Volvo RS1228C / RS1328	Volvo RS1228C / RS1328
Tag axle	Hydraulic steered / Fixed	Hydraulic steered / Fixed
Differential lock	Optional	Optional

Suspension and steering		
Air bellows, front	2	2
Air bellows, drive	4	4
Air bellows, tag	2	2
Kneeling	Optional	Optional
Max wheel angle	52° with tyres 315/80R22.5"	53° with tyres 315/80R22.5"

VOLVO B13R 6X2

Euro 6

Model	B13R, 6 x 2, RFS	B13R, 6 x 2, IFS
Power steering	Hydraulic power steering	Hydraulic power steering
Steering wheel position	LHD/RHD	LHD/RHD

Important information

For variants concerning wheelbase, steering wheel diameter and permitted front axle load, see Type approval according to ECE R79 and ECE R13.

Exhaust system

- One box muffler design
- Diesel Oxidation Catalyst (DOC)
- Diesel Particulate Filter (DPF)
- Selective Catalytic Reduction (SCR)
- Ammonia Slip Catalyst (ASC)
- Automatic regeneration of DPF without driver involvement under normal conditions
- On Board Diagnostic (OBD) for emissions, according to step E of emission regulations
- Engine certified for usage with diesel according to EN 590 and hydrotreated vegetable oil (HVO according to standard EN 15940)
- Biodiesel available for D13K460 and D13K500

Cooling system

- Split configuration for heat exchangers with electrical fans to reach better fuel consumption, lower engine compartment temperature and better access for engine service.
- No coolant filter.
- Coolant level warning in instrument cluster.

Tyres and rims

Steel or aluminium rims available

Rims	Tyres
8.25" x 22.5"	295/80 R22.5"
9.00" x 22.5"	315/80 R22.5"
Spare wheel	Optional

Air and brake system

- Volvo disc brakes
- Electronic Braking System (EBS 5)
- Anti-lock Braking System (ABS)
- Acceleration Slip Regulation (ASR)
- Brake blending
- Hill Start Aid
- Brake temperature warning
- Poor brake performance warning
- Door brake
- Brake Assistant
- Lining wear sensing and analysis
- Automatic calibration after brake pad change
- Pneumatic system, easily filled from external circuit

Cut-in pressure	9.5 bar
Cut-out pressure	10.8 bar

Driver's station

Cluster and controls transit mounted. Also available with Volvo dashboard:

- Dashboard moves with the steering column in height and tilt
- Instrument cluster
 - speedometer
 - rev counter
 - 6.5" display
 - fuel gauge
 - coolant temperature
 - brakes
 - turbo and oil pressure
 - indicators
 - warning lamps
- Tachograph
- Data logging
- External temperature meter
- Fuel economy meter
- Engine controls in engine compartment to enable engine operation from the rear of vehicle
- Lane Keeping Support
- Driver Alert System
- Volvo Dynamic Steering (VDS)
- Adaptive Cruise Control
- I-See

Electrical system

Automatic shut off of main switch at low voltage level

Number of batteries

Start batteries	2 x 12 V
Consumer batteries	2 x 12 V

Battery capacity

Consumer batteries	105 Ah
--------------------	--------

Alternators max output

3 x 150 A. Option: 4 x 150 A

Volvo Buses. Driving quality of life

volvobuses.com

3 (3)