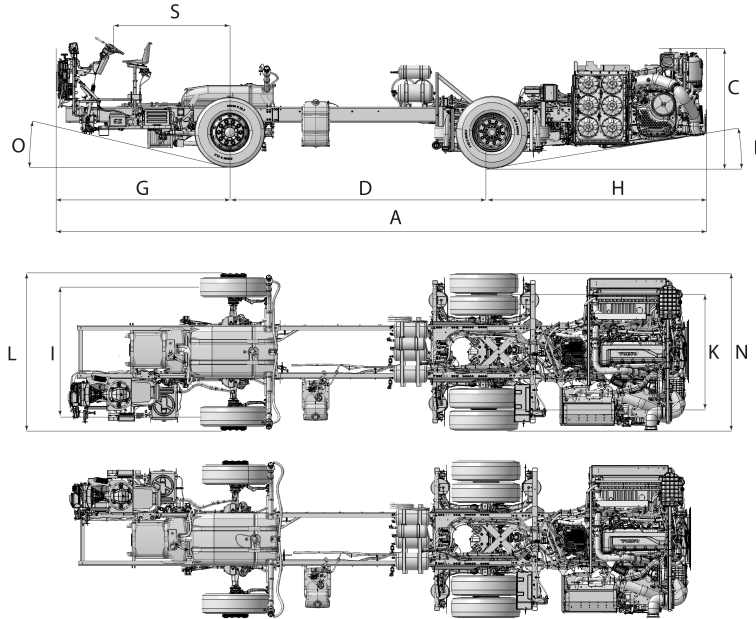


VOLVO B13R 4X2

Euro 6



Model		B13R, 4 x 2, RFS	B13R, 4 x 2, IFS	
Overall dimensions				
A	Overall chassis length (mm)	SWP1470 (mm)	10490-13190	10390-12590
		SWP1820 (mm)	10840-13540	10740-12940
		SWP2050 (mm)	11070-13770	10970-13170
B	Bogie (mm)	n/a	n/a	
C	Frame height at rear structure (mm)*	1618	1816	
D	Transport wheelbase (mm)	4000	4000	
	Approved wheelbase (mm)	4450-8000	4450-7200 (7,1t) 4450-7000 (7,5t)	
G	Front overhang (mm)	SWP1470 (mm)	2150	2050
		SWP1820 (mm)	2500	2400
		SWP2050 (mm)	2730	2630
H	Rear overhang (mm)	3250	3250	
	Optional rear overhang (mm)	n/a	n/a	
S	Steering wheel position (mm)	SWP1470 (mm)	1470	1470
		SWP1820 (mm)	1820	1820
		SWP2050 (mm)	2050	2050
I	Track, front (mm)	2040	2064	
K	Track, rear (mm)*	1836	1836	
L	Overall width front wheels*	2358	2382	
N	Overall width rear wheels (mm)*	2439	2464	
O	Approach angle (°)	13.3	13.3	
P	Departure angle (°)	7.6	7.6	
	Departure angle for optional rear overhang (°)	n/a	n/a	
*) Track width, overall width and frame height are measured with tyres: and steel rims		315/80R22.5"	315/80R22.5"	

VOLVO B13R 4X2

Euro 6

Model	B13R, 4 x 2, RFS	B13R, 4 x 2, IFS
-------	------------------	------------------

Weights		
Permitted front axle load (kg)	7500	7100 / 7500
Permitted drive axle load (kg)	12000	12000
Bogie axle load (kg)	n/a	n/a
Permitted tag axle load (kg)	n/a	n/a
Permitted GVW (kg)	19500	19500

Engine	D13K	D13K
Emission standard	Euro 6	Euro 6
Engine system	SCR, Common rail	SCR, Common rail
Displacement (dm ³)	13	13
Cylinders/arrangement	6/in-line	6/in-line
Engine rating	D13K380	D13K380
Output (hp)	380	380
Output ISO 1585 (kW); at engine speed 1700-1800 r/m	280	280
Torque ISO 1585 (Nm); at engine speed 830-1400 r/m	1800	1800
Engine rating	D13K420	D13K420
Output (hp)	420	420
Output ISO 1585 (kW); at engine speed 1400-1700 r/m	310	310
Torque ISO 1585 (Nm); at engine speed 900-1400 r/m	2100	2100
Engine rating	D13K460	D13K460
Output (hp)	460	460
Output ISO 1585 (kW); at engine speed 1400-1700 r/m	340	340
Torque ISO 1585 (Nm); at engine speed 950-1400 r/m	2300	2300
Engine rating	D13K500	D13K500
Output (hp)	500	500
Output ISO 1585 (kW); at engine speed 1400-1700 r/m	370	370
Torque ISO 1585 (Nm); at engine speed 1000-1400 r/m	2500	2500

Fuel tanks		
Diesel (L)	Dependent on body	Dependent on body
Transport (L)	50	50
AdBlue (L)	90	90

Transmission and axles		
Gearboxes	Volvo I-Shift AT2612G ZF 6AP2020B (only 380 hp)	Volvo I-Shift AT2612G ZF 6AP2020B (only 380 hp)
Front axle	Volvo RFS	Volvo IFS
Rear axle	Volvo RS1228C / RS1328	Volvo RS1228C / RS1328
Tag axle	n/a	n/a
Differential lock	Optional	Optional

Suspension and steering		
Air bellows, front	2	2
Air bellows, drive	4	4
Air bellows, tag	n/a	n/a
Kneeling	Optional	Optional
Max wheel angle	52° with tyres 295/80R22.5"	53° with tyres 295/80R22.5"
Power steering	Hydraulic power steering	Hydraulic power steering
Steering wheel position	RHD	RHD

VOLVO B13R 4X2

Euro 6

Important information

For variants concerning wheelbase, steering wheel diameter and permitted front axle load, see Type approval according to ECE R79 and ECE R13.

Exhaust system

- One box muffler design
- Diesel Oxidation Catalyst (DOC)
- Diesel Particulate Filter (DPF)
- Selective Catalytic Reduction (SCR)
- Ammonia Slip Catalyst (ASC)
- Automatic regeneration of DPF without driver involvement under normal conditions
- On Board Diagnostic (OBD) for emissions, according to step E of emission regulations
- Engine certified for usage with diesel according to EN 590 and hydrotreated vegetable oil (HVO according to standard EN 15940)
- Biodiesel available for D13K460 and D13K500

Cooling system

- Split configuration for heat exchangers with electrical fans to reach better fuel consumption, lower engine compartment temperature and better access for engine service.
- No coolant filter.
- Coolant level warning in instrument cluster.

Tyres and rims

Steel or aluminium rims available

Rims	Tyres
8.25" x 22.5"	295/80 R22.5"
Spare wheel	Optional

Air and brake system

- Volvo disc brakes
- Electronic Braking System (EBS 5)
- Anti-lock Braking System (ABS)
- Acceleration Slip Regulation (ASR)
- Brake blending
- Hill Start Aid
- Brake temperature warning
- Poor brake performance warning
- Door brake
- Brake Assistant
- Lining wear sensing and analysis
- Automatic calibration after brake pad change
- Pneumatic system, easily filled from external circuit

Cut-in pressure	9.5 bar
Cut-out pressure	10.8 bar

Driver's station

Cluster and controls transit mounted. Also available with Volvo dashboard:

- Dashboard moves with the steering column in height and tilt
- Instrument cluster
 - speedometer
 - rev counter
 - 6.5" display
 - fuel gauge
 - coolant temperature
 - brakes
 - turbo and oil pressure
 - indicators
 - warning lamps
- Tachograph
- Data logging
- External temperature meter
- Fuel economy meter
- Engine controls in engine compartment to enable engine operation from the rear of vehicle
- Lane Keeping Support
- Driver Alert System
- Volvo Dynamic Steering (VDS)
- Adaptive Cruise Control
- I-See

Electrical system

Automatic shut off of main switch at low voltage level

Number of batteries

Start batteries	2 x 12 V
Consumer batteries	2 x 12 V

Battery capacity

Consumer batteries	210 Ah
--------------------	--------

Alternators max output

3 x 150 A. Option: 4 x 150 A