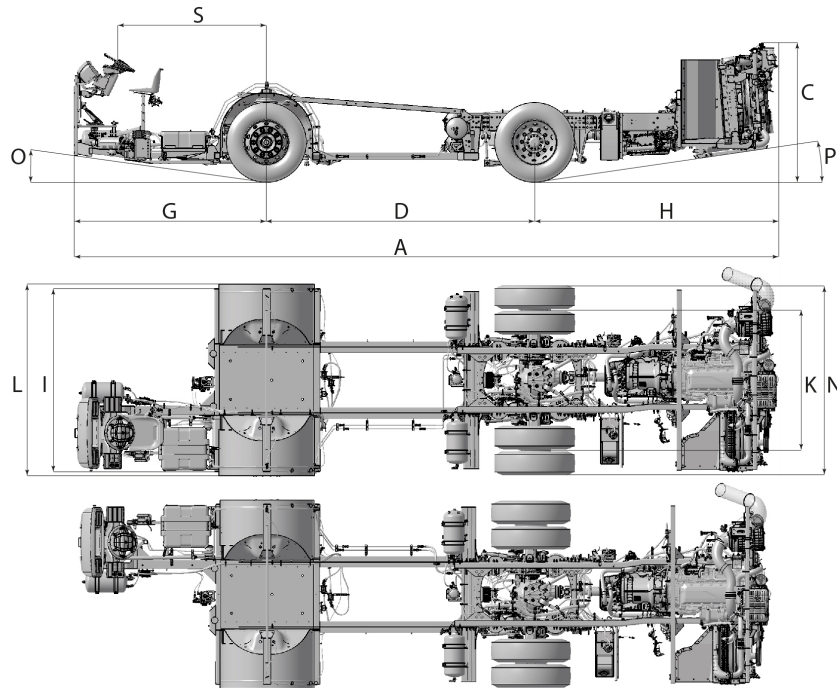




Volvo Buses. Driving quality of life

VOLVO B8R LOW ENTRY

Euro 5



| Model | B8RLE Euro 5 |
|-------|--------------|
|-------|--------------|

| Overall dimensions | | | |
|--|---|---------|----------------------------|
| A | Overall chassis length (mm) | SWP2020 | 10273-12573 |
| | | SWP1920 | 10173-12473 |
| | | SWP1500 | 9758-12058 |
| C | Frame height at rear structure (mm)* | | 1754 |
| D | Transport wheelbase (mm) | | 3500 |
| | Approved wheelbase (mm) | | 4500-6800 |
| G | Front overhang (mm) | SWP2020 | 2600 |
| | | SWP1920 | 2500 |
| | | SWP1500 | 2085 |
| H | Rear overhang (mm) | | 3193 |
| S | Steering wheel position (mm) | SWP2020 | 2018 |
| | | SWP1920 | 1918 |
| | | SWP1500 | 1503 |
| I | Track, front (mm)* | | 2068 |
| K | Track, rear (mm)* | | 1835 |
| L | Overall width front wheels or housing (mm)* | | 2500 |
| N | Overall width rear wheels (mm)* | | 2436 |
| O | Approach angle (°) (N-steering) | | 7.9 |
| P | Departure angle (°) | | 7.7 |
| *) Track width, overall width and frame height are measured with tyres: and steel rims: | | | 295/80R22.5 8.25"x22.5" |

VOLVO B8R LOW ENTRY

Euro 5

| | |
|--------------|---------------------|
| Model | B8RLE Euro 5 |
|--------------|---------------------|

| Weights | |
|--------------------------------|-------|
| Permitted front axle load (kg) | 7500 |
| Permitted drive axle load (kg) | 12000 |
| Permitted GVW (kg) | 19000 |

| Engine | D8C |
|---------------------------------|------------------|
| Emission standard | Euro 5 |
| Engine system | SCR, Common rail |
| Displacement (dm ³) | 7.7 |
| Cylinders/arrangement | 6/in-line |
| Engine rating | D8C250 |
| Output (hp) | 250 |
| Output ISO 1585 (kW) | 184 |
| Torque ISO 1585 (Nm) | 950 |
| at engine speed (rpm) | 1000-1800 |
| Engine rating | D8C330 |
| Output (hp) | 330 |
| Output ISO 1585 (kW) | 243 |
| Torque ISO 1585 (Nm) | 1200 |
| at engine speed (rpm) | 1200-1600 |

| Fuel tanks | |
|-------------------|-----------------|
| Diesel (L) | 220L, 220R, 310 |
| Transport (L) | 50 |
| AdBlue (L) | 50 |

| Transmission and axles | |
|-------------------------------|-----------------------------|
| Gearboxes | ZF 6AP1200C VOITH D854-6 |
| Front axle | VOLVO RFS |
| Rear Axle | VOLVO RS1228C |
| Differential lock | Optional |

| Suspensions and steering | |
|---------------------------------|--------------------------|
| Air bellows, front | 2 |
| Air bellows, drive | 4 |
| Kneeling | Optional |
| Max wheel angle | 53°±1° |
| Power steering | Hydraulic power steering |
| Steering wheel position | LHD/RHD |

VOLVO B8R LOW ENTRY

Euro 5

Important information

For variants concerning wheelbase, steering wheel diameter and permitted front axle load, see Type approval according to ECE R79 and ECE R13.

Exhaust system

- One box muffler design
- Selective Catalytic Reduction (SCR)

Cooling system

- Fluid cooled
- Pressurized cooling system

Tyres and rims

- 10-stud steel or aluminium wheels
- Dual driving axle wheels
- Spare wheel is optional

| Rims | Tyres |
|-------------|--------------|
| 8.25"x22.5" | 295/80R22.5" |
| 7.5"x22.5" | 275/70R22.5" |

Air and brake system

- Collision Warning with Emergency Brake (CW-EB)
- Volvo disc brakes
- Electronic Stability Control (ESC)
- Electronic Braking System (EBS 5)
- Anti-lock Braking System (ABS)
- Acceleration Slip Regulation (ASR)
- Brake blending
- Dual retarder control
- Drag torque control
- Hill Start Aid
- Brake temperature warning
- Poor brake performance warning
- Door brake
- Brake assistant
- Lining wear sensing and analysis
- Automatic calibration after brake pad change
- Compressed air system, easily filled from external circuit

Driver's seat and station

- Adjustable steering wheel, tilt
- Instrument cluster:
 - speedometer
 - rev counter
 - 6.5" display
 - fuel gauge
 - coolant temperature
 - brakes
 - turbo and oil pressure
 - indicators
 - warning lamps
- Emergency switch
- Tachograph
- Radio switches in steering wheel
- Data logging
- Volvo Alcolock
- External Temperature Meter
- Fuel Economy Meter
- Engine controls in engine compartment to enable engine operation from the rear of vehicle

Electrical system

- Bus Electrical Architecture, BEA2+
- Electronic data bus system, Multiplex 3
- Ampere meter
- Fuel consumption meter
- Outdoor/Indoor temperature meter
- Number of batteries: 2
- Voltage: 24 V
- Battery capacity: 165 Ah, 170 Ah, 180 Ah, 225 Ah
- Alternators max output: 2x110 A



Volvo Bus Corporation

volvobuses.com