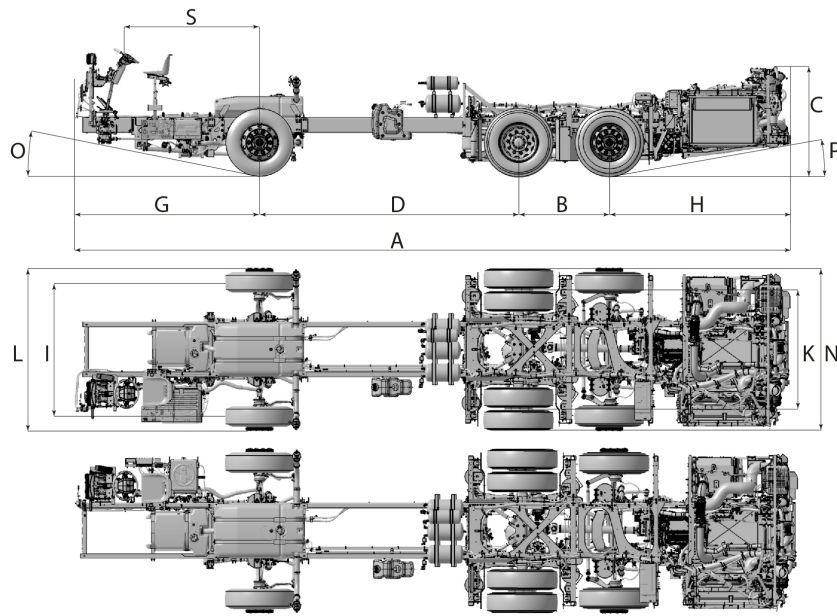


# VOLVO B11R 6X2

Euro 6



Model		B11R, 6x2, RFS	B11R, 6x2, IFS
<b>Overall dimensions</b>			
A	Overall chassis length (mm)	SWP1470 (mm)	11310-13710
		SWP1820 (mm)	11660-14060
		SWP2050 (mm)	11890-14290
B	Bogie (mm)		1400
C	Frame height at rear structure (mm)*		1618
D	Transport wheelbase (mm)		4000
	Approved wheelbase (mm)		5000-7400
G	Front overhang (mm)	SWP1470 (mm)	2150
		SWP1820 (mm)	2500
		SWP2050 (mm)	2730
H	Rear overhang (mm)		2760
	Optional rear overhang (mm)		3340
S	Steering wheel position (mm)	SWP1470 (mm)	1470
		SWP1820 (mm)	1820
		SWP2050 (mm)	2050
I	Track, front (mm)		2040
K	Track, rear (mm)*		1836
L	Overall width front wheels*		2489
N	Overall width rear wheels (mm)*		2494
O	Approach angle (°)		13.3
P	Departure angle (°)		10.6
	Departure angle for optional rear overhang (°)		7.4
*) Track width, overall width and frame height are measured with tyres and steel rims			
		315/80R22.5" 9.00"x22.5"	315/80R22.5" 9.00"x22.5"

# VOLVO B11R 6X2

Euro 6

Model	B11R, 6x2, RFS	B11R, 6x2, IFS
-------	----------------	----------------

Weights		
Permitted front axle load (kg)	7500	7500
Permitted drive axle load (kg)	11500	11500
Bogie axle load (kg)	17250/19000	17250/19000
Permitted tag axle load (kg)	5750/7500	5750/7500
Permitted GVW (kg)	24750/26500	24750/26500

Engine	D11K	D11K
Emission standard	Euro 6	Euro 6
Engine system	SCR, Common rail	SCR, Common rail
Displacement (dm <sup>3</sup> )	11	11
Cylinders/arrangement	6/in-line	6/in-line
Engine rating	D11K380	D11K380
Output (hp)	380	380
Output ISO 1585 (kW); at engine speed 1600-1900 r/m	285	285
Torque ISO 1585 (Nm); at engine speed 950 r/m	1836	1836
Engine rating	D11K430	D11K430
Output (hp)	430	430
Output ISO 1585 (kW); at engine speed 1600-1900 r/m	323	323
Torque ISO 1585 (Nm); at engine speed 950 r/m	2091	2091
Engine rating	D11K460	D11K460
Output (hp)	460	460
Output ISO 1585 (kW); at engine speed 1600-1900 r/m	345	345
Torque ISO 1585 (Nm); at engine speed 950 r/m	2244	2244

Fuel tanks		
Diesel (L)	220, 300, 375, 400, 3x150, 480, 720	220, 300, 375, 400, 3x150, 480, 600, 720
Transport (L)	50	50
AdBlue (L)	48 or 64	48 or 64

Transmission and axles		
Gearboxes	Volvo I-Shift AT2412F ZF 6AP2000C (only 380 hp)	Volvo I-Shift AT2412F ZF 6AP2000C (only 380 hp)
Front axle	Volvo RFS	Volvo IFS
Rear axle	Volvo RS1228C	Volvo RS1228C
Tag axle	Hydraulic steered/Fixed	Hydraulic steered/Fixed
Differential lock	Optional	Optional

Suspension and steering		
Air bellows, front	2	2
Air bellows, drive	4	4
Air bellows, tag	2	2
Kneeling	Optional	Optional
Max wheel angle	52° with tyres 295/80R22.5"	53° with tyres 295/80R22.5"
Power steering	Hydraulic power steering	Hydraulic power steering
Steering wheel position	LHD/RHD	LHD/RHD

# VOLVO B11R 6X2

Euro 6

## Important information

For variants concerning wheelbase, steering wheel diameter and permitted front axle load, see Type approval according to ECE R79 and ECE R13.

## Exhaust system

- One box muffler design
- Diesel Oxidation Catalyst (DOC)
- Diesel Particulate Filter (DPF)
- Selective Catalytic Reduction (SCR)
- Ammonia Slip Catalyst (ASC)
- Automatic regeneration of DPF without driver involvement under normal conditions
- On Board Diagnostic (OBD) for emissions, according to step D of emission regulations
- Engine certified for usage with hydrotreated vegetable oil (HVO according to standard EN 15940)
- Biodiesel available for D11K460

## Cooling system

- Pivotal radiator to ease access for maintenance
- No coolant filter
- Coolant level warning in instrument cluster
- Higher allowed coolant temperature for better cooling performance and lower fuel consumption

## Tyres and rims

Steel or aluminium rims available

Rims	Tyres
8.25" x 22.5"	295/80 R22.5"
9.00" x 22.5"	315/80 R22.5"
Spare wheel	Optional

## Air and brake system

- Collision Warning with Emergency Brake (CW-EB)
- Volvo disc brakes
- Electronic Stability Control (ESC)
- Electronic Braking System (EBS 5)
- Anti-lock Braking System (ABS)
- Acceleration Slip Regulation (ASR)
- Brake blending
- Dual retarder control
- Drag torque control
- Hill Start Aid
- Brake temperature warning
- Poor brake performance warning
- Door brake
- Brake assistant
- Lining wear sensing and analysis
- Automatic calibration after brake pad change
- Compressed air system, easily filled from external circuit

Cut-in pressure	9.5 bar
Cut-out pressure	10.8 bar

## Driver's station

Cluster and controls transit mounted. Also available with Volvo dashboard:

- Dashboard moves with the steering column in height and tilt
- Optional VDV version
- Instrument cluster
  - speedometer
  - rev counter
  - 6.5" display
  - fuel gauge
  - coolant temperature
  - brakes
  - turbo and oil pressure
  - indicators
  - warning lamps
- Tachograph
- Data logging
- Volvo Alcolock
- External temperature meter
- Fuel economy meter
- Engine controls in engine compartment to enable engine operation from the rear of vehicle
- Lane Keeping Support
- Volvo Dynamic Steering (VDS)
- Adaptive Cruise Control
- I-See

# VOLVO

Volvo Bus Corporation

volvobuses.com

# VOLVO B11R 6X2

Euro 6

---

## Electrical system

- Volvo I-Start system
  - dual battery system that separates batteries into two circuits
  - optimised start batteries to increase engine start capability
  - optimised consumer batteries for longer lifetime
- Automatic shut off of main switch at low voltage level
- Load balanced alternators
- Regenerative charge control to increase fuel efficiency

### Number of batteries

Start batteries	2 x 12 V
Consumer batteries	2 x 12 V

### Battery capacity

Consumer batteries	105 Ah
--------------------	--------

### Alternators max output

2 x 150 A, 3 x 150 A



Volvo Bus Corporation  
volvobuses.com