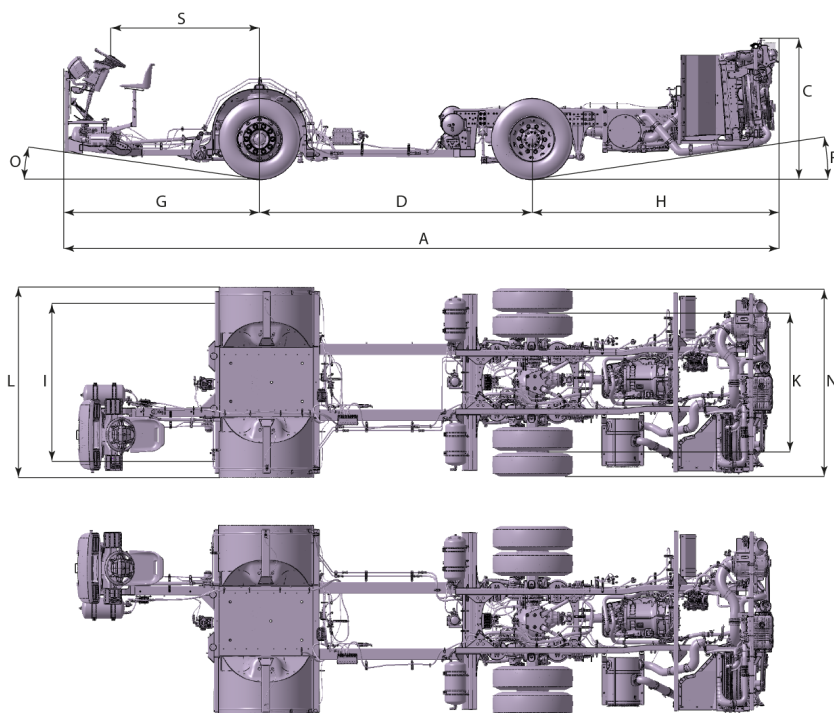




Volvo Buses. Driving quality of life

# VOLVO B8R LOW ENTRY

Euro 3



Model		B8RLE Euro 3	
<b>Overall dimensions</b>			
A	Overall chassis length (mm)	SWP2020	10273-12573
		SWP1920	10173-12473
		SWP1500	9758-12058
C	Frame height at rear structure (mm)*		1754
D	Transport wheelbase (mm)		3500
	Approved wheelbase (mm)		4500-6800
G	Front overhang (mm)	SWP2020	2600
		SWP1920	2500
		SWP1500	2085
H	Rear overhang (mm)		3193
S	Steering wheel position (mm)	SWP2020	2018
		SWP1920	1918
		SWP1500	1503
I	Track, front (mm)*		2068
K	Track, rear (mm)*		1834
L	Overall width front wheels or housing (mm)*		2500
N	Overall width rear wheels (mm)*		2436
O	Approach angle (°) (N-steering)		7.9
P	Departure angle (°)		7.7
*) Track width, overall width and frame height are measured with tyres: and steel rims:			295/80R22.5 8.25"x22.5"

# VOLVO B8R LOW ENTRY

Euro 3

<b>Model</b>	<b>B8RLE Euro 3</b>
--------------	---------------------

<b>Weights</b>	
Permitted front axle load (kg)	7500
Permitted drive axle load (kg)	12000
Permitted GVW (kg)	19000

<b>Engine</b>	
Emission standard	Euro 3
Engine system	Common rail
Displacement (dm <sup>3</sup> )	7.7
Cylinders/arrangement	6/in-line
Output (hp)	330
Output ISO 1585 (kW)	243
Torque ISO 1585 (Nm)	1200
at engine speed (rpm)	1200-1650

<b>Fuel tanks</b>	
Diesel (L)	220L, 220R, 310
Transport (L)	50

<b>Transmission and axles</b>	
Gearboxes	ZF 6AP1200C VOITH D854-6
Front axle	VOLVO RFS
Rear Axle	VOLVO RS1228C
Differential lock	Optional

<b>Suspensions and steering</b>	
Air bellows, front	2
Air bellows, drive	4
Kneeling	Optional
Max wheel angle	53°±1°
Power steering	Hydraulic power steering
Steering wheel position	LHD/RHD

# VOLVO B8R LOW ENTRY

Euro 3

## Important information

For variants concerning wheelbase, steering wheel diameter and permitted front axle load, see Type approval according to ECE R79 and ECE R13.

## Exhaust system

- One box muffler design

## Cooling system

- Fluid cooled
- Pressurized cooling system

## Tyres and rims

- 10-stud steel or aluminium wheels
- Dual driving axle wheels
- Spare wheel is optional

Rims	Tyres
8.25"x22.5"	295/80R22.5"
7.5"x22.5"	275/70R22.5"

## Air and brake system

- Collision Warning with Emergency Brake (CW-EB)
- Volvo disc brakes
- Electronic Stability Control (ESC)
- Electronic Braking System (EBS 5)
- Anti-lock Braking System (ABS)
- Acceleration Slip Regulation (ASR)
- Brake blending
- Dual retarder control
- Drag torque control
- Hill Start Aid
- Brake temperature warning
- Poor brake performance warning
- Door brake
- Brake assistant
- Lining wear sensing and analysis
- Automatic calibration after brake pad change
- Compressed air system, easily filled from external circuit

## Driver's seat and station

- Adjustable steering wheel, tilt
- Instrument cluster:
  - speedometer
  - rev counter
  - 6.5" display
  - fuel gauge
  - coolant temperature
  - brakes
  - turbo and oil pressure
  - indicators
  - warning lamps
- Emergency switch
- Tachograph
- Radio switches in steering wheel
- Data logging
- Volvo Alcolock
- External Temperature Meter
- Fuel Economy Meter
- Engine controls in engine compartment to enable engine operation from the rear of vehicle

## Electrical system

- Bus Electrical Architecture, BEA2+
- Electronic data bus system, Multiplex 3
- Ampere meter
- Fuel consumption meter
- Outdoor/Indoor temperature meter
- Number of batteries: 2
- Voltage: 24 V
- Battery capacity: 165 Ah, 170 Ah, 180 Ah, 225 Ah
- Alternators max output: 2x110 A

**VOLVO**

Volvo Bus Corporation

volvobuses.com