



Volvo Buses. Driving quality of life

VOLVO B11R EURO 3/5

Built to perform



THE SAFER CHOICE

Presenting the Volvo B11R

When you build your business on a Volvo chassis you have chosen reliability and superior productivity along with Volvo's renowned safety capabilities, built-in from the very start. Furthermore, the powerful driveline and the solid chassis structure make for a pleasant passenger experience. So, whichever way you look at it, Volvo is the safer choice.

Explore our BUSINESS BENEFITS

For versatile applications

Premium charter or cost-efficient line haul? With the Volvo B11R you will get just the coach you need. With two- or three-axle configuration and multiple power ratings, you can optimise it for your specific operation.

True uptime

The Volvo B11R shares its driveline with Volvo's powerful truck range. You'll benefit from proven reliability, service-friendly layout and trouble-free maintenance, features that help keep your vehicles on the road. Volvo is by your side all the way.

Fuel efficiency

The B11R features a fuel-efficient 11-litre engine with uncompromised power and performance, combined with Volvo I-Shift and a line-up of fuel-saving services.



Driver performance

The road handling and power resources make the Volvo B11R simply great to drive. Everything in the driver's area is set for superior ergonomics. Why not add on Driver Training to fully exploit the potential of your coaches?

World-class safety

Safety is deep in the DNA of Volvo. Your drivers and passengers will benefit from the vehicle's predictable and consistent road behaviour and wide range of safety features.

Business in partnership

Our promise is to be your best business partner, with services to maximise uptime, reduce life cycle cost and facilitate the management of your fleet.

Passenger satisfaction

Ride comfort starts with chassis stability. Balanced suspension and structural rigidity make for a solid and pleasant passenger experience.

Environmental care

The low fuel consumption also means low emissions. Furthermore, the B11R is available with emission specifications up to Euro5 and EEV.

SAFETY

The best **WAY TO GO**

Going by bus or coach is the safest way to travel. Especially when you rely on Volvo. The mechanical durability creates a solid base for reliable safety, which is enhanced with a range of additional features. When it comes to preventive safety, the road behaviour of the Volvo B11R models is a real asset. Consistent and predictable, it helps the driver stay in control, just like in every other Volvo. And we constantly develop and introduce new safety features. So you can really care for your passengers.

Safety is in our DNA

Excellent handling and braking

Road handling and consistent behaviour are crucial safety factors. This is especially important in critical situations when the brakes are put to the test. The fifth generation of EBS-controlled disc brakes with brake blending and ABS are well-known Volvo safety components.

Brake pad wear and brake temperature are monitored automatically. And for added safety you can opt for our Electronic Stability Program (ESP) which is a great help when driving in adverse conditions.

Active safety starts with the driver

Solid engine torque across a wide rev range in combination with a smooth automatic transmission provides a unique driving feel. A logical, easy-to-read instrument panel, enhanced human-machine interface and the easily adjustable steering wheel are just a few examples of its features. An ergonomic working environment helps the driver drive more safely and stay focused and alert.



..... The power generated in emergency braking corresponds to thousands of horsepower.
..... Volvo's braking system is designed, refined and manufactured to the highest quality
..... standards and will serve throughout a long service life. In your daily operations, the bus
..... itself monitors brake pad wear and temperature. For you and your passengers' safety.

VERSATILITY IN APPLICATION

B11R

Strong and simple

The Volvo B11R is a pleasure to work with. Through body-building and in service and maintenance too. The flat top of the framework allows efficient body construction and guarantees a long, productive life. The compact and service-friendly driveline installation extends the scope for creating a spacious and efficient vehicle.



We speak your body language

The 3-axle Volvo B11R will offer you maximum passenger capacity and a huge luggage space. With body length up to 14.2 m your coach is king of the road. Add to that the road behaviour, engine output of up to 450 hp and a clear and logical instrument cluster, and the driver's workday becomes a pleasure too.



Front suspension B11R

Rigid or independent front suspension is available, offering excellent comfort and handling along with a tight turning circle.



Engines

Volvo engines are known for first-class driveability. The D11C is no exception and its outstanding fuel efficiency reduces its environmental impact. Available with multiple power outputs of up to 450 hp.



I-Shift

Volvo's legendary I-Shift transmission combines smooth and silent shifting with fuel efficiency and ensures the engine run under optimised conditions.



Brakes

Powerful, EBS-controlled disc brakes are well-known Volvo safety components. For top-of-the-line safety you can opt for a retarder and our Electronic Stability Program (ESP).



Automatic function check

The multiplexed electronics system keeps track of the basic functions. All safety features are checked at every start-up. Automatically.



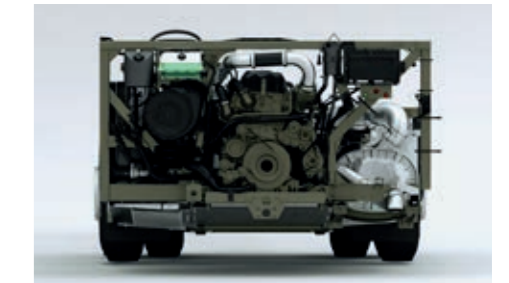
Driver's environment

Volvo means world-class ergonomics. Clear instrumentation and logical control panels help the driver stay alert, focused and in control.



I-Coaching for smarter driving

I-Coaching assists the driver in driving more safely, fuel-efficiently and comfortably. It gives instant feedback on vital parameters, helping the driver improve performance.



Simple service

The engine installation, cabling and connectors as well as all other service points are located for easy access. This provides for rapid and reliable service, a true Volvo hallmark.

POWER

and environmental performance

The driveline, based on Volvo's 11-litre diesel engine, is highly fuel-efficient and available in power ratings up to 450 hp. The power is handled smoothly by the Volvo I-Shift 12-speed automated gearbox. The benefits are the traditional Volvo hallmarks of first-class driveability, outstanding fuel efficiency and low environmental impact. The engine comes in versions complying with emission standards up to Euro 5 and EEV (Enhanced Environmental-friendly Vehicle).

Volvo power – a strong business case

Pure profitability

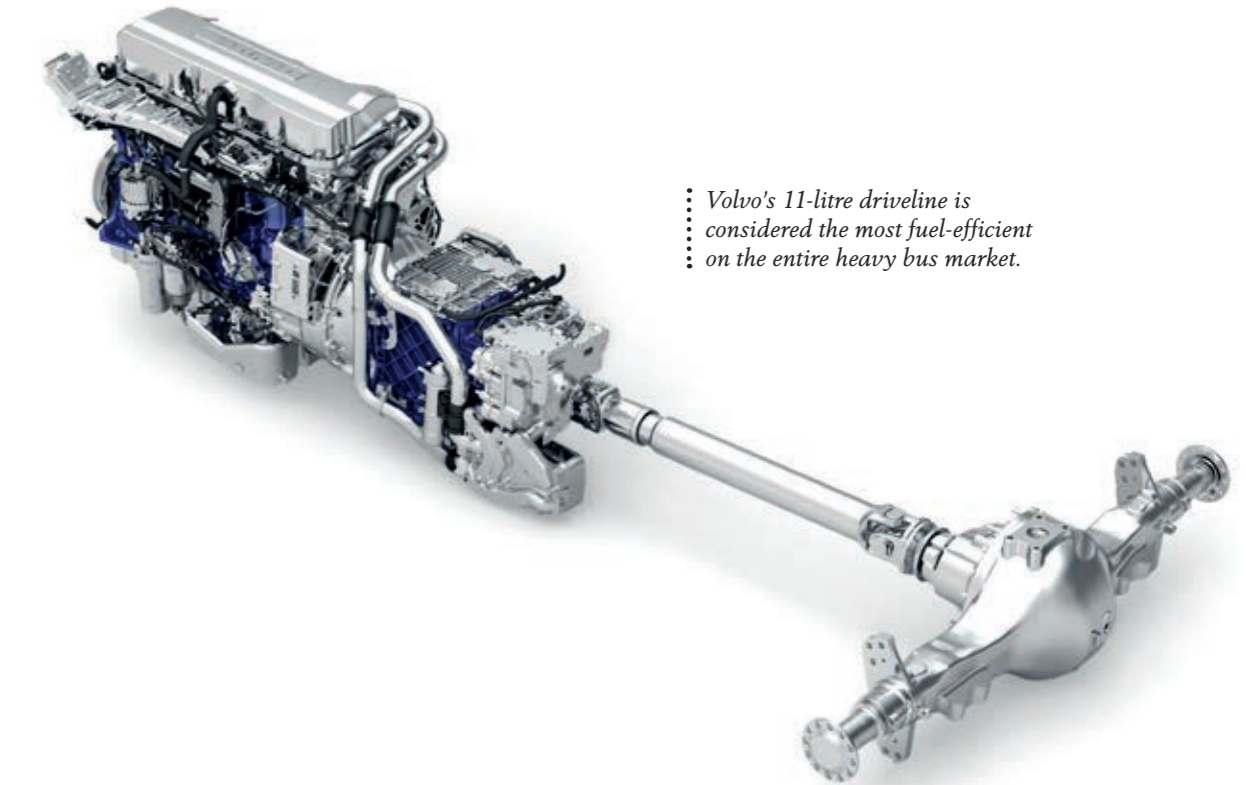
The Volvo D11C engine is highly efficient, which is the first prerequisite for low emissions, and also for low operating costs. Featuring an engine ranked as among the most fuel-efficient in the world, the B11R is the obvious choice without compromising on power and performance.

Trouble-free maintenance

Every Volvo chassis is designed for long service intervals and swift and simple maintenance. Oil change intervals are extended and many critical components are maintenance-free, such as the prop shafts, half shafts and rear wheel bearings. In addition, Volvo's multiplexed electronics system serves as a preventive maintenance and diagnostics tool.

Simple service

With Volvo, service and maintenance are simple matters. All service points are easily reached and, owing to component sharing within the Volvo family, your spare parts logistics is simplified. You also benefit from our extensive service network, which we share with Volvo Trucks. There are also specialised Bus Service Centers that provide competence, tools and parts for all your needs.



• Volvo's 11-litre driveline is
• considered the most fuel-efficient
• on the entire heavy bus market.

SERVICES

Services for BETTER BUSINESS

As your business partner we can provide more than our first-class vehicles. You also get a global service network – yet with a single point of contact, taking full responsibility for all chassis and driveline-related matters. But it doesn't stop there. Volvo also offers a range of value-adding services from which you can choose, combining them to create an optimised solution.

Global service network

Your vehicles and your business are always in good hands thanks to more than 1,500 service centres all over the world.

Service Contracts

Substantially reinforce uptime and availability, at a specified monthly rate.

Parts Supply Contracts

Availability of Genuine Volvo Parts and optimisation of your spare parts stock based on prediction and follow-up.

Financing

Competitive financing solutions, perfectly suited for your business situation.

Volvo Action Service

Worldwide assistance, multilingual phone support and a range of assistance services open 24/7.

I-Coaching

Instant feedback generates cost reduction through lower fuel consumption and reduced wear. Improved passenger comfort.

Driver Training

Identifies need for improvements and provides practical training.

Vehicle Management

Keeps track of mileage, usage, wear and technical alerts. On-line and in real-time.

Fleet Management

Real-time monitoring and clear reports make it possible to track fuel cost, emissions, driving behaviour and position for each vehicle in your fleet.

FACTS AND FIGURES

Dimensions and weights

Model	B11R 4x2	B11R 6x2
Overall chassis length approx. (m)	10.3–13.7	11.1–14.2
Approved wheelbase (m)	5.0–7.7	5.0–7.4
Overall width (m)	2.5–2.6	2.5–2.6
Permitted GVW (kg)	19,000	26,500

Powertrain

Emission standard	Euro 3	Euro 5	Euro 3	Euro 5
Engine	Volvo D11, 6-cylinder, in-line diesel engine			
	D11A	D11C	D11A	D11C
Output [hp]	370, 430	330, 370, 410 (EEV), 450	370, 430	330, 370, 410 (EEV), 450
Torque [Nm]	1770, 1970	1600, 1750, 1950, 2150	1770, 1970	1600, 1750, 1950, 2150
Transmission	Volvo I-Shift, automated gear-changing system. Automatic transmission available for D11C370.			

Axles, suspension and steering

Front axle	Volvo Rigid or Independent Front Suspension.
Rear axle	Volvo single reduction axle with alternative ratios available.
Tag axle	Hydraulically steered or fixed.
Suspension	Electronically controlled air suspension with optional kneeling function on all variants. Front and rear stabilisers.
Power steering	Hydraulic power steering.
Steering wheel position	LHD/RHD
Tyres	295/80R22.5"
Rims	Steel or aluminium rims available.

Brakes

Volvo electronically controlled disc brakes (EBS). Anti-lock Braking System (ABS), Brake Blending, Hill Start Aid, Brake Assist. Volvo Electronic Stability Program (ESP). Volvo compact retarder and Volvo Engine Brake (VEB) available as an option.

Frame

Precision-built, strong, durable frame made of carbon steel. C-profile beams with flat, bodybuilder-friendly upper surface.

Driver's environment

Ergonomic design with easy-reach controls. Adjustable driver's seat and steering wheel (reach and rake). Volvo instrument cluster with enhanced HMI.

Fuel tanks

	Euro 3	Euro 5
Diesel (L)	300–720	300–800
AdBlue (L)	–	48
Transport (L)	50	50

Volvo Buses. Driving quality of life



VOLVO

Volvo Bus Corporation

Göteborg, Sweden
www.volvobuses.com

RSP 85569.17.07 EN. Equipment that is shown or mentioned in the brochure may be optional or available as an accessory and may vary from one country to another. We retain the right to alter product specifications without prior notification.